

SPECIFICATIONS:-

- Capacity up to - 8 M3/HR
- Head up to - 5 BAR
- Connections size- 1" to 2"
- Connection type- TC, SMS & IDF
- Temperature range- 20 C to 107 C
- Viscosity up to- 10000 CST

FEATURES:-

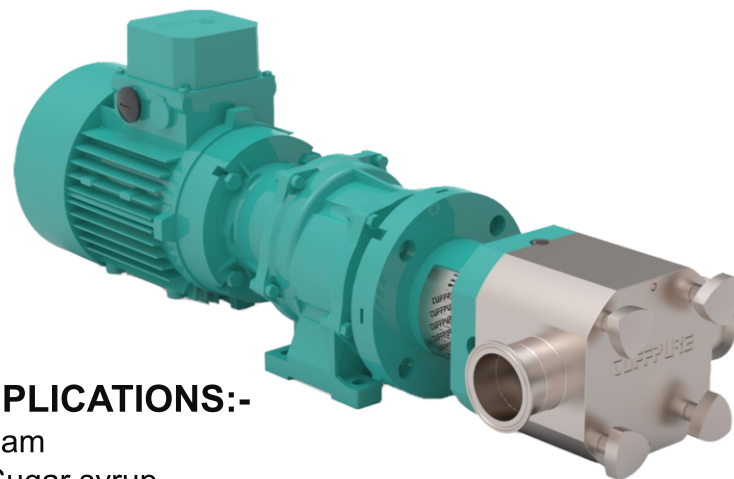
- Various seal options
- Various mounting options
- Hygienic wetted parts
- No sharp corners
- Surface finish options upto 0.4 micron Ra
- Front loading seal design
- Bidirectional flow
- Jacketing options available
- Cipable
- No Rotor Timing
- No Oil Changing
- No Shimming required

COMPONENTS:-

- Pump Housing Options: Stainless Steel 316 & 316L
- Head Cover Options: Stainless Steel 316 & 316L
- Rotor Options: Stainless Steel 316 & 316L
- Idler Options: Stainless Steel 316, 316L & Nitronic 60
- Idler Pin Options: Stainless Steel 316 & 316L
- Idler Bushing Options: Carbon Graphite & Ceramic
- Sealing Options: Single Seal SIC/SIC or TC/TC, Double Seal SIC/SIC or TC/TC
- Elastomer Options: EPDM, FKM, PTFE, Kalrez, Perfluoro elastomer etc.

ADVANTAGES:-

- Can be mounted in different positions as per existing pipe line
- No Bearing so no need for frequent bearing lubrication, reduce down time.
- Small foot print idle for SKID mounted applications
- All hygienic wetted parts
- Unique axial and radial clearance to ensure no jamming of the pump.
- No sharp corners to ensure no material deposition
- Higher surface finish upto 0.4 micron Ra, to ensure the hygiene ability is of the highest standard
- Less time in changing seals due to front loading seal design
- Greater independency during cleaning due to bidirectional flow
- Fully cipable and therefore, hygienic



APPLICATIONS:-

- Jam
- Sugar syrup
- Suspensions
- Alcohols & solvents
- Honey
- Edible oils & vegetable oil
- Paraffin wax
- Soap & surfactants
- Acids & Caustics
- Water- based liquids
- Dairy Products

TUFFPURE[®]

HYGIENIC PUMPS

**The Perfect Pump
For Hygienic Applications**



INFINITY
Pumps & Systems Pvt. Ltd.

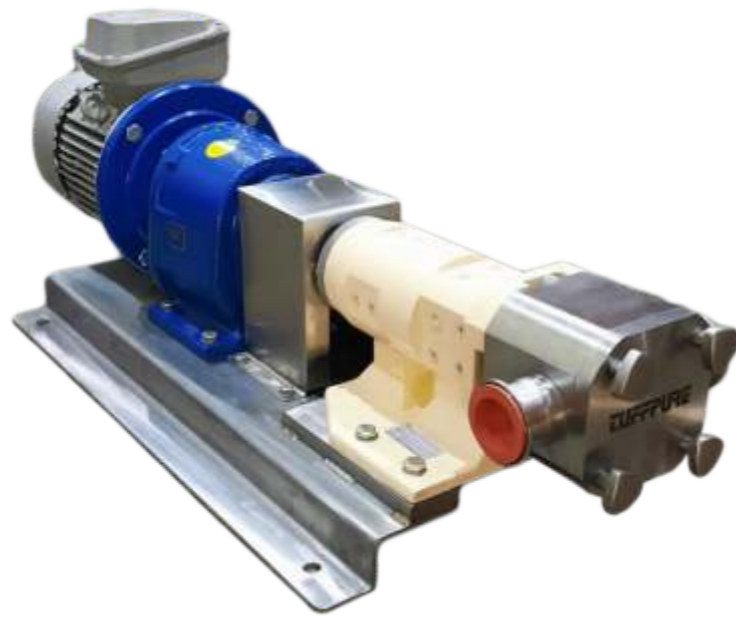
12/25, Site-IV, Sahibabad Ind. Area,
Ghaziabad-201010, U.P., (INDIA)
Telephone: +91-9811764048/9811766848
Helpline: +91-9811016348
Email: info@infinitypumps.com
Website: www.infinitypumps.com



TUFFPURE[®]

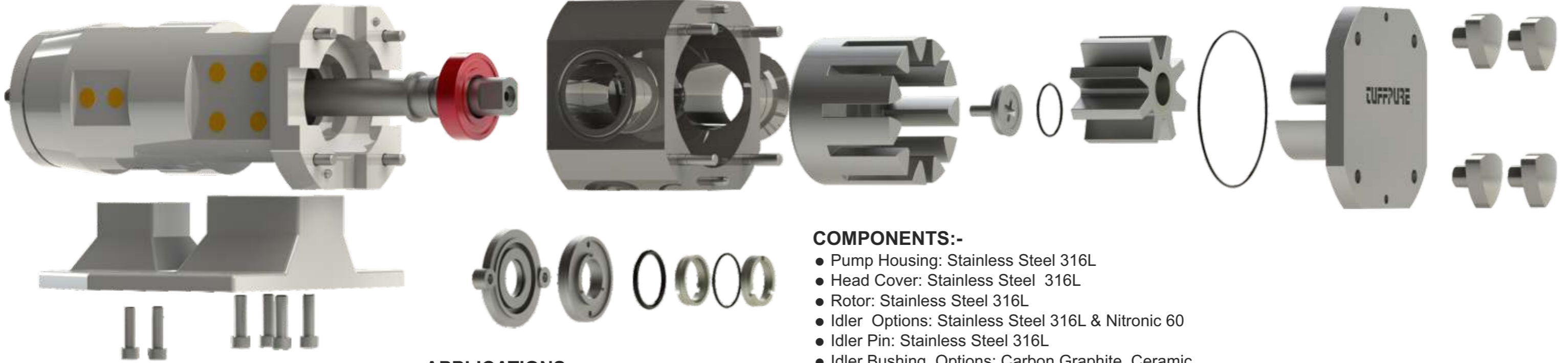
SPECIFICATIONS:-

- Capacity up to - 35 M3/HR
- Head up to – 10 BAR
- Connections size — 1” to 3”
- Connection type – TC, SMS, IDF & Flange
- Temperature range– 20° C to 107° C
- Viscosity up to– 21500 CST



ADVANTAGES:-

- The single shaft design reduces the chances of leakage by 50%!
- Versatile application range due to various seal options
- Can be mounted in different positions as per existing pipe line
- No need for frequent bearing lubrication as they are sealed & lubricated for life
- All hygienic wetted parts in SS316L
- Unique axial and radial clearance to ensure no jamming of the pump.
- No sharp corners to ensure no material deposition
- Higher surface finish upto 0.4 micron Ra, to ensure the hygiene ability is of the highest standard
- Less time in changing seals due to front loading seal design
- Greater independency during cleaning due to bidirectional flow
- Fully cipable and therefore, hygienic



COMPONENTS:-

- Pump Housing: Stainless Steel 316L
- Head Cover: Stainless Steel 316L
- Rotor: Stainless Steel 316L
- Idler Options: Stainless Steel 316L & Nitronic 60
- Idler Pin: Stainless Steel 316L
- Idler Bushing Options: Carbon Graphite, Ceramic
- Sealing Options: Single Seal SIC/SIC or TC/TC, Double Seal SIC/SIC or TC/TC with Outboard C/SIC
- Elastomer Options: EPDM, FKM, PTFE, Kalrez, Perfluoro elastomer etc.

FEATURES:-

- Single shaft design
- Various seal options
- Various mounting options
- Sealed for life bearings
- Hygienic wetted parts
- Unique clearance design
- No sharp corners
- Surface finish options up to 0.4 micron Ra
- Front loading seal design
- Bidirectional flow
- Jacketing options available
- Cipable

APPLICATIONS:-

- Jam
- Sugar syrup
- Suspensions
- Alcohols & solvents
- Honey
- Edible oils & vegetable oil
- Paraffin wax
- Soap & surfactants
- Acids & Caustics
- Water- based liquids
- Dairy Products
- Chocolate
- Shampoo
- Face Wash

Chocolates



Edible Oils & Nut Butter



Chemicals



Personal Care



Dairy



Confectioneries & Sweeteners



Meat

